

**Ceiling unit
Pureline Pro 120 cm
White**



EAN 5414425222148

Energy label

▪ Energy Efficiency class (EElhood)	A
▪ Annual Energy Consumption (kWh/year) (AEChood)	41,4
▪ Fluid Dynamic Efficiency class (FDEhood)	A
▪ Lighting Efficiency class (LEhood)	C
▪ Grease Filtering Efficiency class (GFEhood)	D

Functions & features

▪ Control method	Remote control
▪ Number of speeds	3 + power
▪ Automatic Power revert (minutes)	6
▪ Motor	Integrated
▪ Sound absorber	Integrated
▪ Recirculation	Optional
▪ InTouch function	Standard
▪ Novy Connect	Standard
▪ Auto stop	▪
▪ Delayed switch off (minutes)	10
▪ Number of grease filters	2
▪ Grease filter	6830020
▪ Grease filter cleaning indication	▪
▪ Recirculation filter cleaning indication	▪

Dimensions

▪ Product dimensions (WxDxH) (mm)	1168 x 508 x 319
▪ Height incl. mounting clamps (without motorbox) (mm)	133
▪ Width flange (mm)	15
▪ Dimensions cut-out opening (WxD) (mm)	1145 x 485
▪ Advised mounting height induction hobs (Hmin-Hmax) (mm)	600 - 1600
▪ Advised mounting height gas hobs (Hmin-Hmax) (mm)	650 - 1600
▪ Advised mounting height ceramic hobs (Hmin-Hmax) (mm)	600 - 1600
▪ Diameter outlet (mm)	150
▪ Position exhaust	Right, Left, Front, Back, Top

Lighting

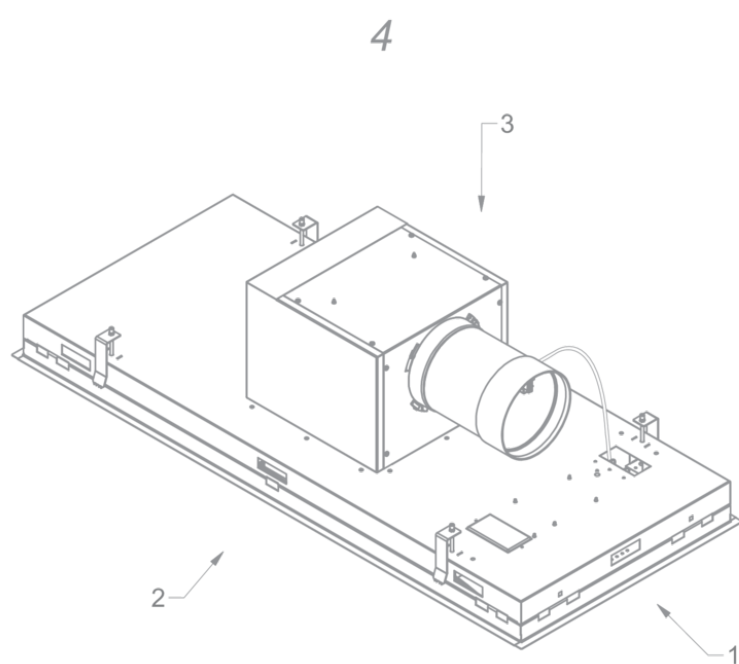
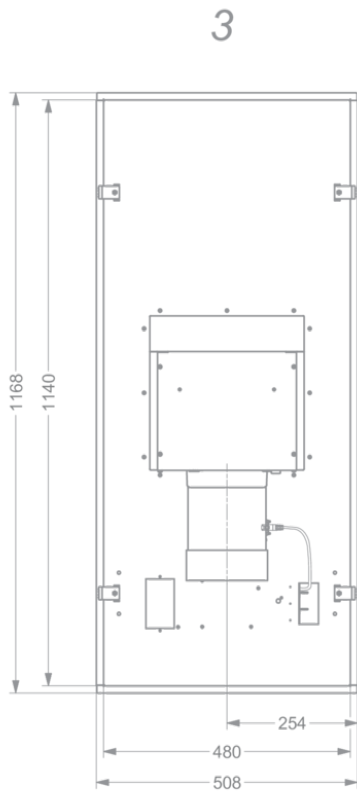
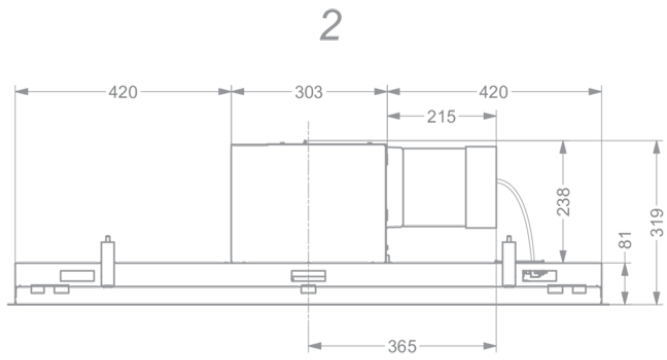
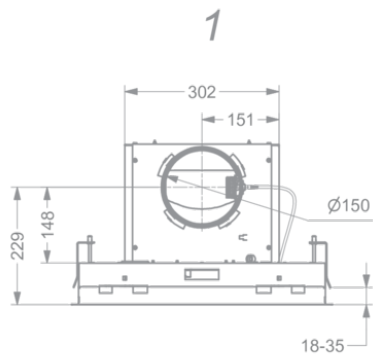
▪ Functional lighting type	Led strip
▪ Ambient lighting type	Led strip
▪ Dimmable light	▪
▪ Soft-ON/OFF	▪
▪ Total energy consumption functional light (W)	21
▪ Total energy consumption ambient light (W)	21
▪ Color functional light	2700-5000
▪ Color ambient light	2700-5000

Airflow and noise level

▪ Free airflow (m ³ /h)	975
▪ Airflow (m ³ /h) measured according to EN 61591	
▪ Sound regulation according to DIN 45635-2	
▪ Airflow duct out speed 1 (m ³ /h) / Max pressure duct out speed 1 (Pa)	262 / 98
▪ Airflow duct out speed 2 (m ³ /h) / Max pressure duct out speed 2 (Pa)	466 / 343
▪ Airflow duct out speed 3 (m ³ /h) / Max pressure duct out speed 3 (Pa)	617 / 391
▪ Airflow duct out max powerspeed (m ³ /h) (Qboost) / Max pressure duct out max powerspeed (Pa)	714 / 391
▪ Sound pressure duct out speed 1 (dB(A)) / Sound power duct out speed 1 (dB(A))	27 / 39
▪ Sound pressure duct out speed 2 (dB(A)) / Sound power duct out speed 2 (dB(A))	40 / 52
▪ Sound pressure duct out speed 3 (dB(A)) / Sound power duct out speed 3 (dB(A))	46 / 59
▪ Sound pressure duct out at max powerspeed (dB(A)) / Sound power duct out at max powerspeed (dB(A)) (LWAboost)	49 / 62

Technical specifications

▪ Maximum power (W)	193
▪ Voltage cooker hood (V)	230
▪ Frequency (Hz)	50
▪ Length power supply cord (m)	1,2
▪ Power consumption in stand-by-mode (Ps) (W)	0,48
▪ Net weight (kg)	22,7



Installation accessories

Dissociated motor

- Dissociated motor
Kit to place motor at distance Pureline
6830/6831/6833/6834/6840/6841/6843/6844 ≥V19;
Pureline Pro 6930/6931/6932/6940/6941/6942 ≥V02
- 800997

Extension cable

- 7000094 Extension cable 5 m

Accessories

Recirculation box



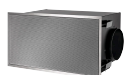
841400

recirculation box with monoblock white (270x500mm)



842400

recirculation box with monoblock black (270x500mm)



843400

recirculation box with monoblock grey (270x500mm)

Adapter for limited installation height



6930050

Adapter for limited installation height 17,3 cm

